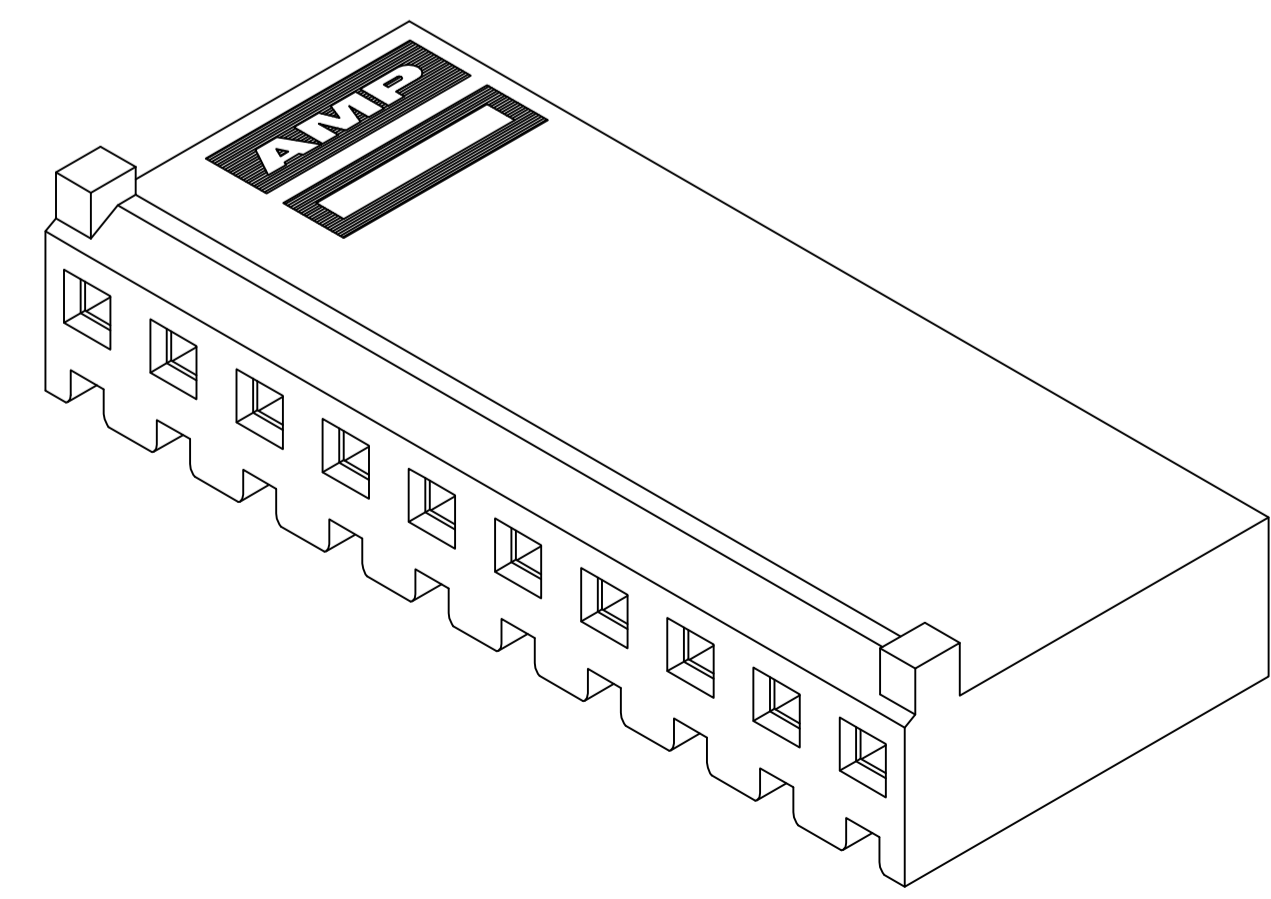
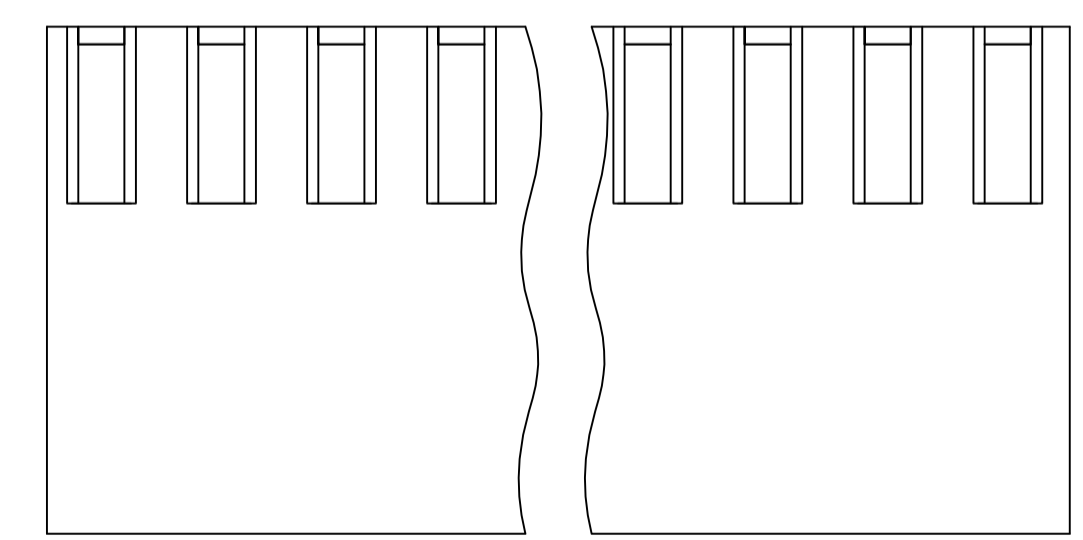
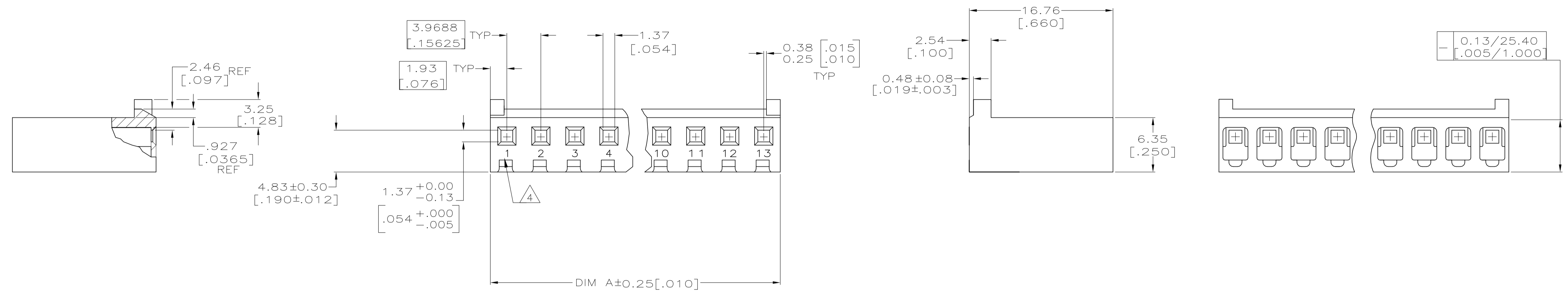
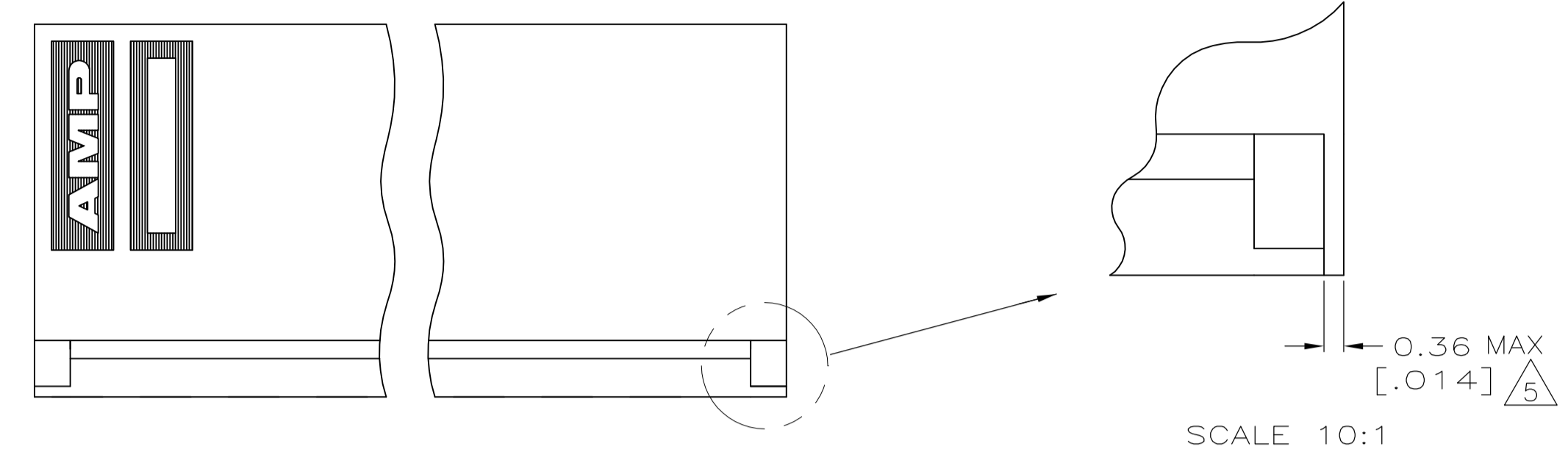


| LOC | | DIST | | REVISIONS | | | |
|-----|-----|---------------------------|---------|-----------|------|--|--|
| P | LTR | DESCRIPTION | DATE | DMN | APVD | | |
| P | | REVISED PER ECO-12-007807 | 27JUL12 | KH | SM | | |

- 1 UNIT ACCEPTS 1.14[.045] SQUARE OR ROUND POST.
- 2 UNIT ACCEPTS STANDARD SL-156 CONTACTS.
- 3 UNIT ACCEPTS KEYING PLUG 640254-1 AND KEYING PIN 640255-1.
- 4 IDENTIFICATION NUMBER FOR ALL POSITIONS, OR FOR POSITION 1 ONLY, WILL BE LOCATED AS SHOWN.
- 5 OPTIONAL CONSTRUCTION, BOTH ENDS.
- 6 DIMENSIONS IN BRACKETS ARE IN INCHES.



3-DIMENSIONAL MODEL NTS

1-770849-3 SHOWN

| DIM A | NO OF POSN | PART NUMBER |
|--------------|------------|-------------|
| 95.15[3.746] | 24 | 2-770849-4 |
| 91.19[3.590] | 23 | 2-770849-3 |
| 87.20[3.433] | 22 | 2-770849-2 |
| 83.24[3.277] | 21 | 2-770849-1 |
| 79.27[3.121] | 20 | 2-770849-0 |
| 75.31[2.965] | 19 | 1-770849-9 |
| 71.30[2.807] | 18 | 1-770849-8 |
| 67.34[2.651] | 17 | 1-770849-7 |
| 63.40[2.496] | 16 | 1-770849-6 |
| 59.44[2.340] | 15 | 1-770849-5 |
| 55.45[2.183] | 14 | 1-770849-4 |
| 51.49[2.027] | 13 | 1-770849-3 |
| 47.52[1.871] | 12 | 1-770849-2 |
| 43.56[1.715] | 11 | 1-770849-1 |
| 39.57[1.558] | 10 | 1-770849-0 |
| 35.61[1.402] | 9 | 770849-9 |
| 31.65[1.246] | 8 | 770849-8 |
| 27.69[1.090] | 7 | 770849-7 |
| 23.70[.933] | 6 | 770849-6 |
| 19.74[.777] | 5 | 770849-5 |
| 15.77[.621] | 4 | 770849-4 |
| 11.81[.465] | 3 | 770849-3 |
| 7.82[.308] | 2 | 770849-2 |

THIS DRAWING IS A CONTROLLED DOCUMENT.

| | | | | | |
|---------------------------------|--|----------------------|---------------------|----------------------------|-------------------|
| DIMENSIONS: INCHES | TOLERANCES UNLESS OTHERWISE SPECIFIED: | DIN K SALMON 5-22-91 | CHK R SWING 5-22-91 | APVD D WORTHINGTON 5-22-91 | NAME |
| 0 PLC ± - | 1 PLC ± - | 2 PLC ± - | 3 PLC ± 0.13 [.005] | 4 PLC ± - | ANGLES ± - |
| MATERIAL NYLON,UL 94V-0 NATURAL | FINISH - | WEIGHT - | SIZE A1 | CAGE CODE 00779 | DRAWING NO 770849 |
| CUSTOMER DRAWING | | SCALE 4:1 | SHEET 1 OF 1 | REV P | |

STE TE Connectivity

HOUSING WITH LOCKING RAMP AND POLARIZING TABS, SL-156